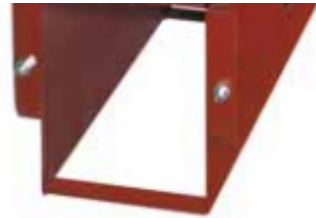


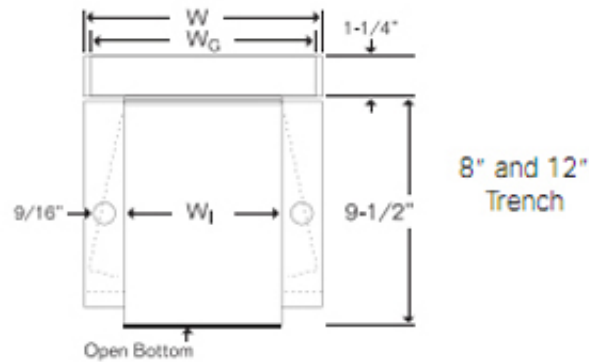
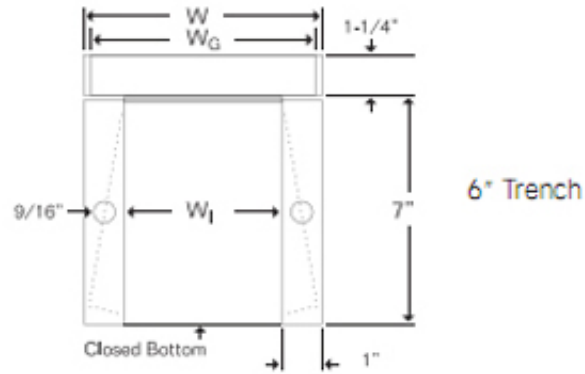
TRENCH DRAIN | STEEL GRATE





8" and 12"
Widths

8TDSG
12TDSG



PRINT FRIENDLY PDF

- Durable construction for residential and light commercial applications
- Trench boxes have anchoring brackets for additional support
- Sections easily bolt together for continuous runs
- Steel grates held in place with stainless steel clips and screws
- All drains coated inside and out with red corrosion-resistant paint
- Tees, Els, and Jays available for corner applications
- Lower cost alternative to non-metallic drains

Trench Drain Load Capacities & Flow Rates

Model	Size	Description
6TDSG	6"	Steel Bottom w/ Steel Grate
6TDB	6"	Steel Bottom Box Only
6SG	6"	Steel Grate Only
6EPS	6"	End Plate – Steel – Solid
6EPSWH	6"	Steel End Plate w/ 4-1/4" Hole
8TDB	8"	Open Bottom Box Only
8SG	8"	Steel Grate Only
8EPS	8"	Steel End Plate – Solid
8EPSWH	8"	Steel End Plate w/ 4-1/4" Hole
12TDSG	12"	Open Bottom w/ Steel Grate
12TDB	12"	Open Bottom Box Only
12SG	12"	Steel Grate Only
12EPS	12"	End Plate – Steel – Solid
12EPSWH	12"	Steel End Plate w/ 4-1/4" Hole

Product Widths	Trench Sizes		
	6"	8"	12"
Top (W)	6-1/2"	8-1/4"	12-1/4"
Grate (W _G)	5-7/8"	7-7/8"	11-7/8"

Box (W ₁)	4-1/2"	6-1/4"	10-1/4"
-----------------------	--------	--------	---------

Standard Length:

- 6" Wide-1', 4', 5', and 6'
- 8" Wide-4', 5', and 6'
- 12" Wide-4', 5' and 6'

Skid Quantities:

- 6"-4' and 5'-49 pieces
- 6"-6'-35 pieces
- 8"-4'-25 pieces
- 12"-4'-15 pieces