

Trench Drain



Steel Grate

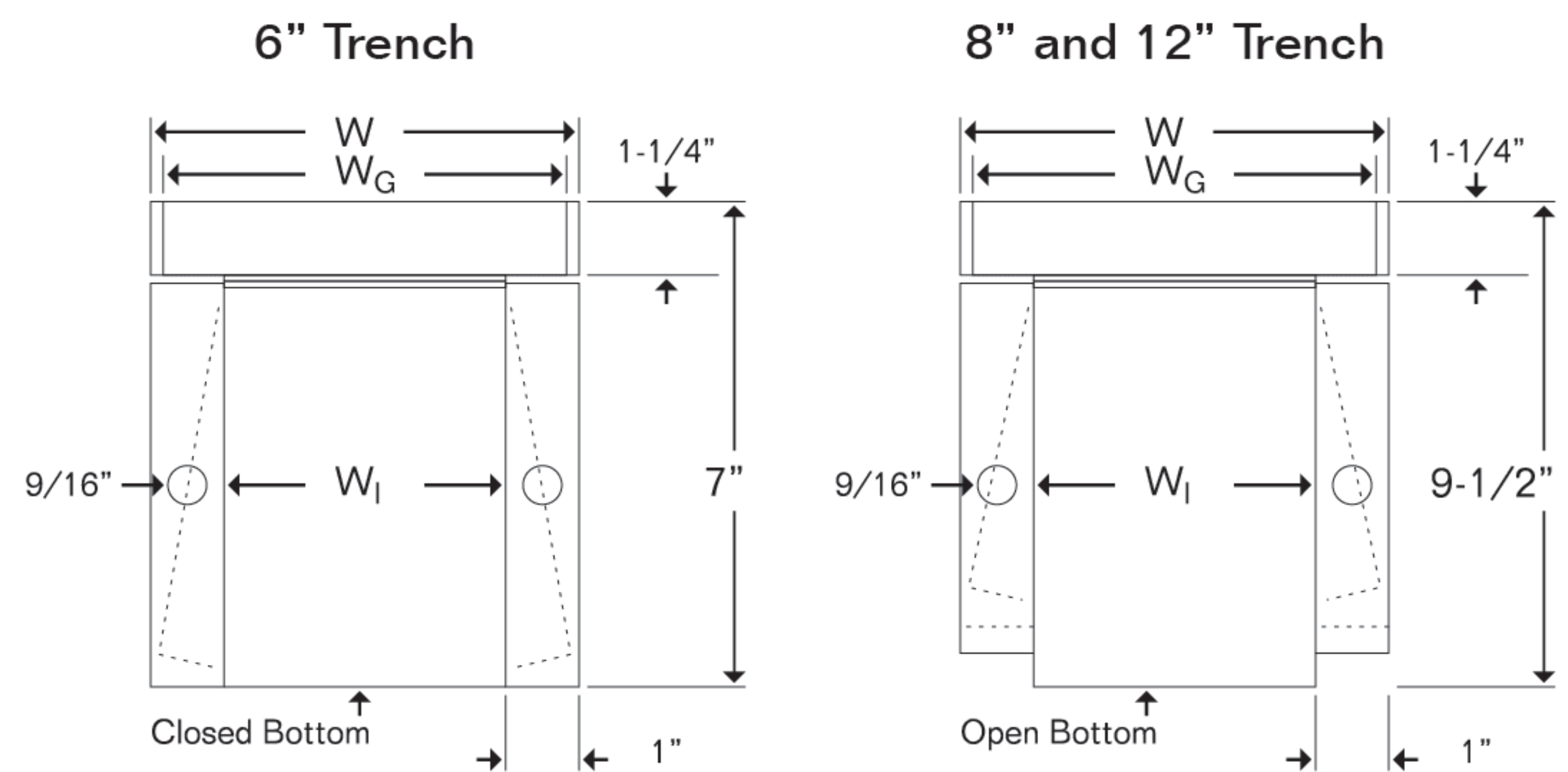


Model	Size	Description	Weight (#)
6TDSG	6"	Steel Bottom w/ Steel Grate	10.0/Ft.
6TDB	6"	Steel Bottom Box Only	5.0/Ft.
6SG	6"	Steel Grate Only	5.0/Ft.
6EPS	6"	Steel End Plate – Solid	1.0
6EPSWH	6"	Steel End Plate w/ 4-1/4" Hole	0.9
8TDSG	8"	Open Bottom w/ Steel Grate	13.5/Ft.
8TDB	8"	Open Bottom Box Only	6.3/Ft.
8SG	8"	Steel Grate Only	5.5/Ft.
8EPS	8"	Steel End Plate – Solid	2.0
8EPSWH	8"	Steel End Plate w/ 4-1/4" Hole	1.5
12TDSG	12"	Open Bottom w/ Steel Grate	14.8/Ft.
12TDB	12"	Open Bottom Box Only	6.5/Ft.
12SG	12"	Steel Grate Only	8.0/Ft.
12EPS	12"	Steel End Plate – Solid	2.6
12EPSWH	12"	Steel End Plate w/ 4-1/4" Hole	2.4

- Durable construction for residential and light commercial applications
- Trench boxes have anchoring brackets for additional support
- Sections easily bolt together for continuous runs
- Steel grates held in place with stainless steel clips and screws
- All drains coated inside and out with red corrosion-resistant paint
- Tees, Els, and Jays available for corner applications
- Lower cost alternative to non-metallic drains

- Standard Lengths:
 6" Wide - 1', 4', 5', and 6'
 8" Wide - 4', 5', and 6'
 12" Wide - 4', 5', and 6'

- Skid Quantities:
 6"-4' and 5' – 49 pieces
 6"-6' – 35 pieces
 8"-4' – 25 pieces
 12"-4' – 15 pieces



Product Widths	Trench Sizes		
	6"	8"	12"
Top (W)	6-1/2"	8-1/4"	12-1/4"
Grate (W _G)	5-7/8"	7-7/8"	11-7/8"
Box (W _I)	4-1/2"	6-1/4"	10-1/4"

