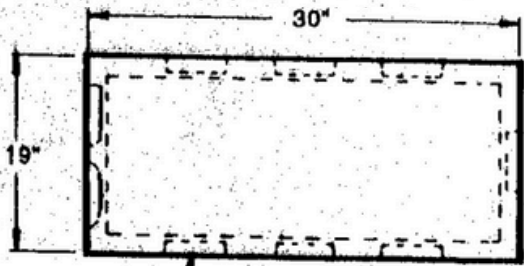
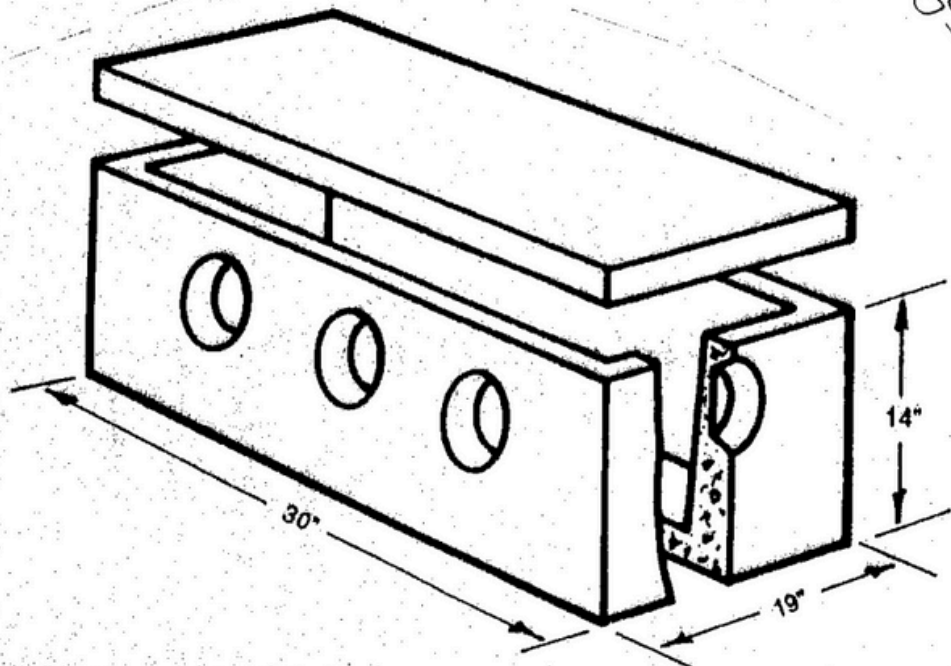


**PRECAST DISTRIBUTION BOXES  
DB-9**

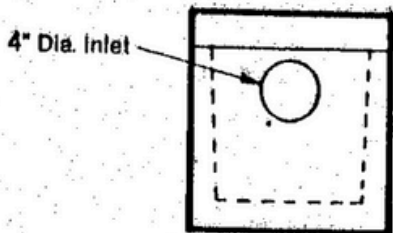
*avail in  
4" & 6"*

*One side  
has 2-holes*

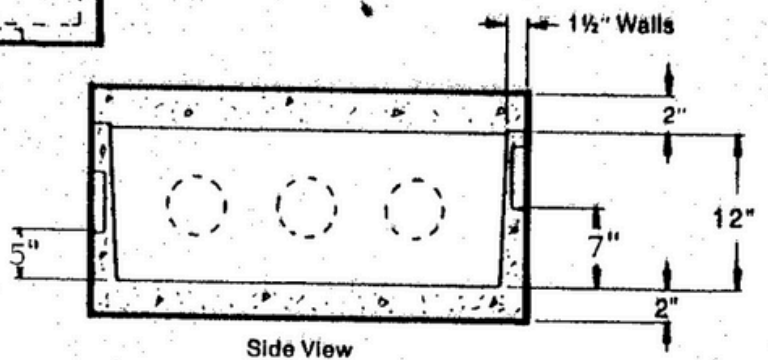


Top View

8 - 4" Outlets



End View



Side View

**SPECIFICATIONS**

- Concrete Minimum Strength - 4,000 PSI at 28 days
- Reinforcement
- Pipe Connection - Poly-loc seal (patent pending)