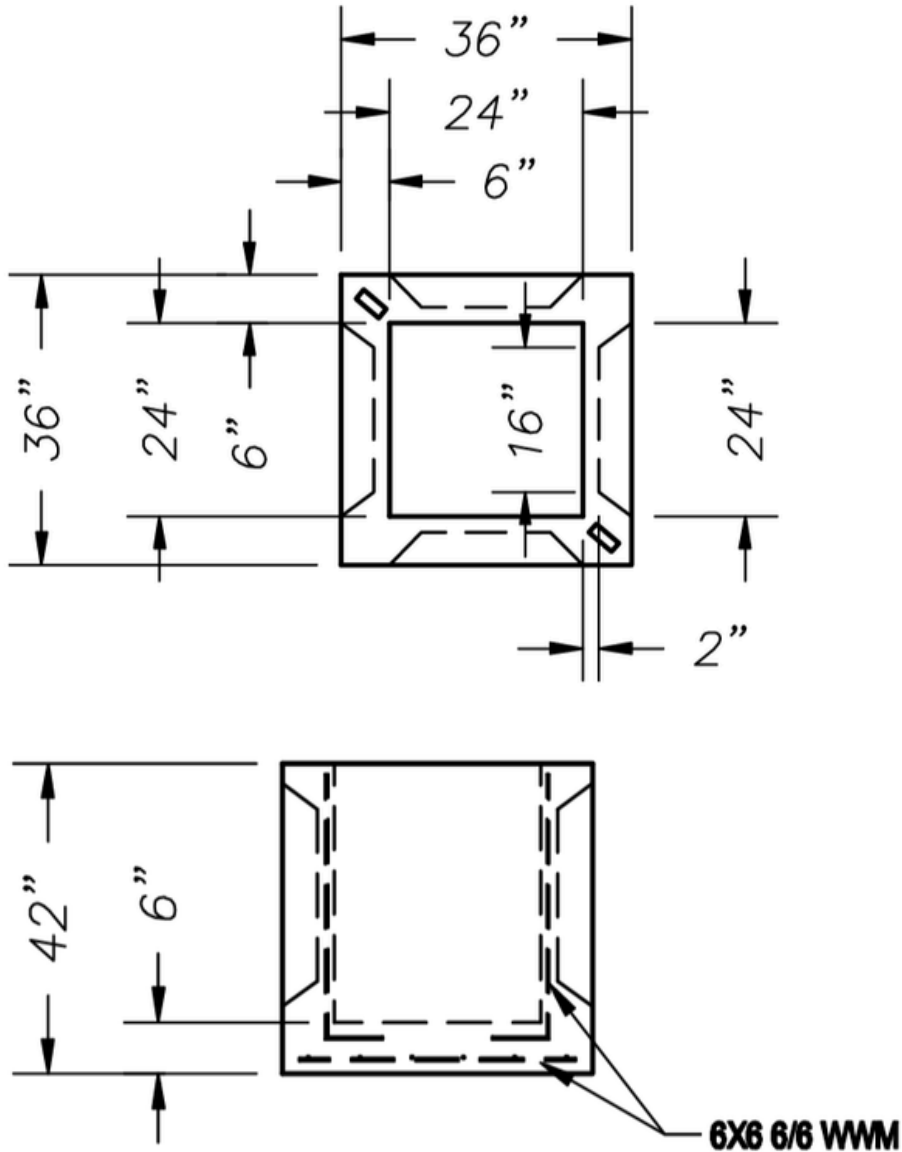


24"x24"x36" Basin



NOTES:

1. Intentionally left blank
2. **Steel reinforcement: A.S.T.M. A496-A615 Grade 60-60 ksi**
3. Intentionally left blank
4. **Concrete: 4000 psi @ 28 days, 5% - 9% air entrainment**
5. Intentionally left blank
6. Intentionally left blank
7. **Design loading A-0.3/ 300 psf - walkways, floatation forces not accounted for**
8. **Max. cover over tank: 3' of earth fill**
9. Min. 1" concrete cover over reinforcement
10. Tank to conform with ASTM C1227
11. **Basin can support H-20 loading**

