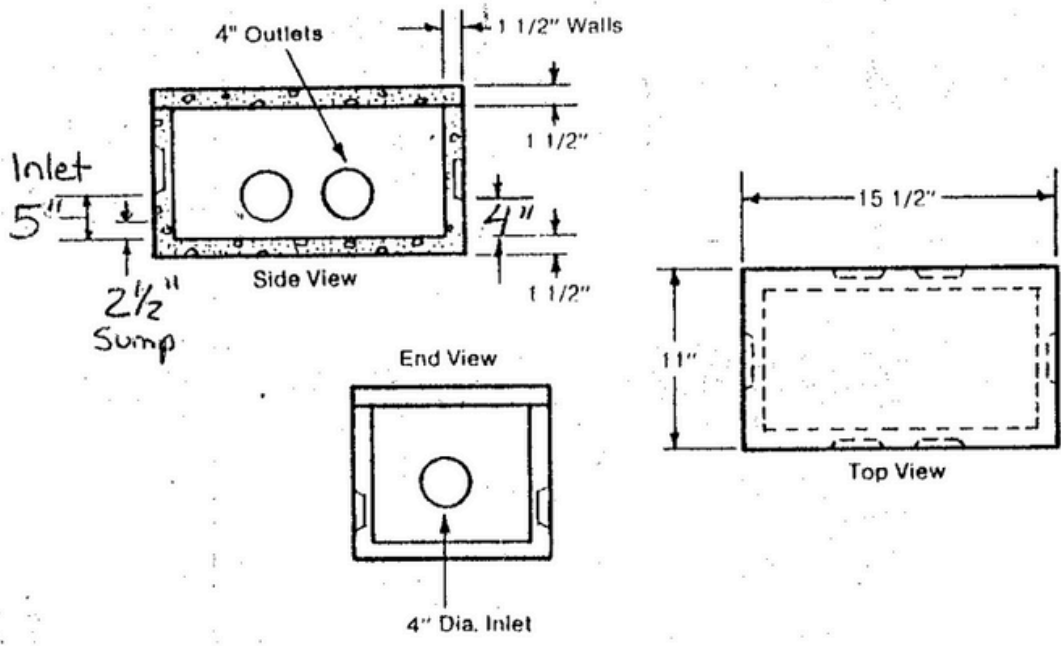
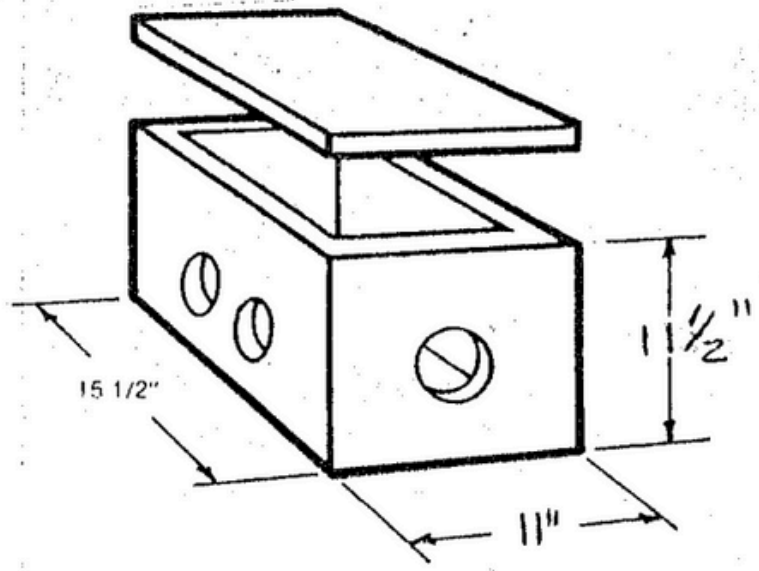


**PRECAST DROP BOXES  
DB - 6DB**



**SPECIFICATIONS**

- Concrete Minimum Strength - 4,000 PSI at 28 days
- Reinforcement Fiber
- Pipe Connection - Poly-loc seal (patent pending)